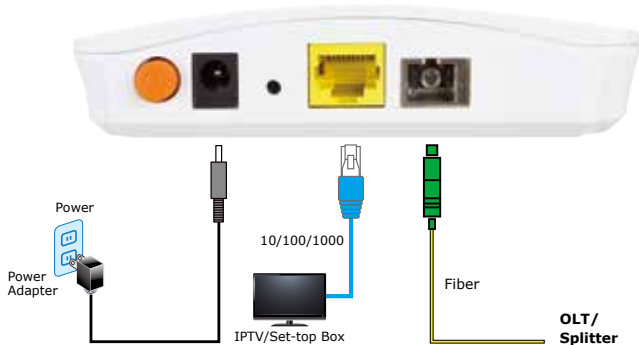


GEPON SFU ONU with One GE Port



Perfectly Designed for FTTx Applications

PLANET EPN-110 is a GEPON **Optical Network Unit (ONU)** equipped with **one GEPON port and one Gigabit Ethernet RJ45 interface**. When functioning with PLANET GEPON **Optical Network Terminal (OLT)**, the EPN-110 provides highly-effective GEPON solutions for FTTx network. With the friendly-centralized GUI management, it is easy for the installation and maintenance of GEPON deployment.



GEPON Port

- 1 SC type GEPON port
- Up to 1.25Gbps data rate in both upstream and downstream directions.
- Maximum distance of up to 20km
- Compliant with IEEE 802.3ah
- LED indicators for link status
- Physical Hardware
- One 10/100/1000Mbps Gigabit port
- 1 reset button
- 1 power switch

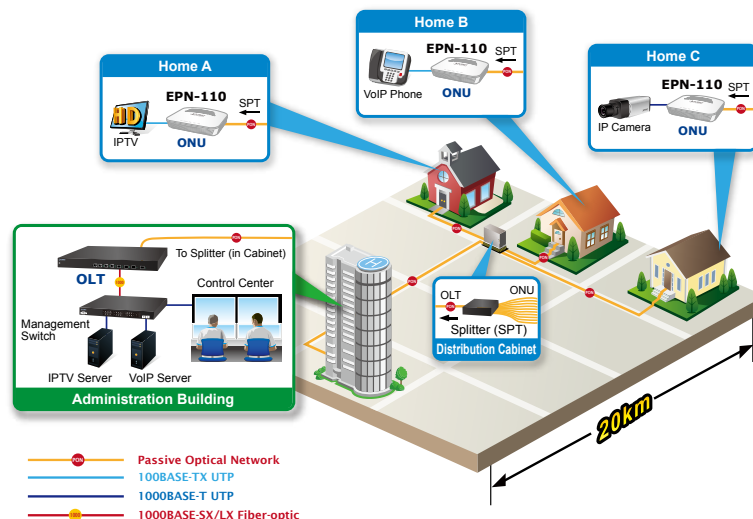
Features

- Dynamic Bandwidth Allocation (DBA) support
- PON interface complies with IEEE 802.3ah
- IEEE 802.3ah compliant Forward Error Correction (FEC)
- Supports up to 64 MAC addresses
- Enhanced IGMP features
- 1.5 MB of integrated packet buffering
- Supports Layer 2/3/4 classification rules
- Supports IEEE 802.3x flow control
- Internal Management Information Base (MIB) counters for network statistics

Cost-effective Passive Optical Network Connection Solution

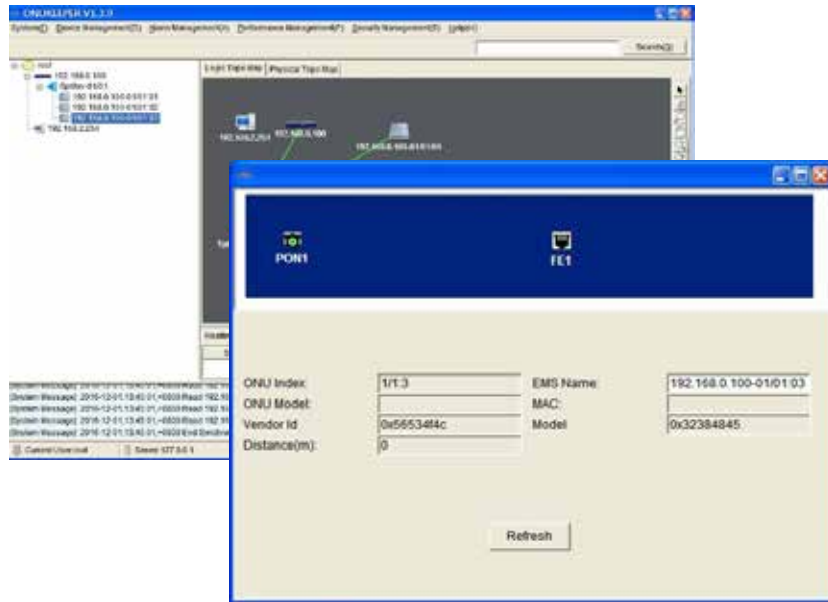
With increasing network services such as HDTV, IPTV, voice-over-IP (VoIP) and multimedia broadband applications, the demand of broadband communication has grown quickly. Passive Optical Network (PON) is the most promising NGN (Next Generation Networking) technology to meet the needs. As compared to other broadband access technologies such as xDSL and cable modem, Passive Optical Network (PON) technology offers competitive advantages including a long-term life expectancy of the fiber infrastructure, lower operating costs through the reduction of "active" components, support of up to 20km long distance between equipment nodes, and most importantly, offer of much greater bandwidth.

Fiber To The Home (FTTH) Application



Robust ONUs Management

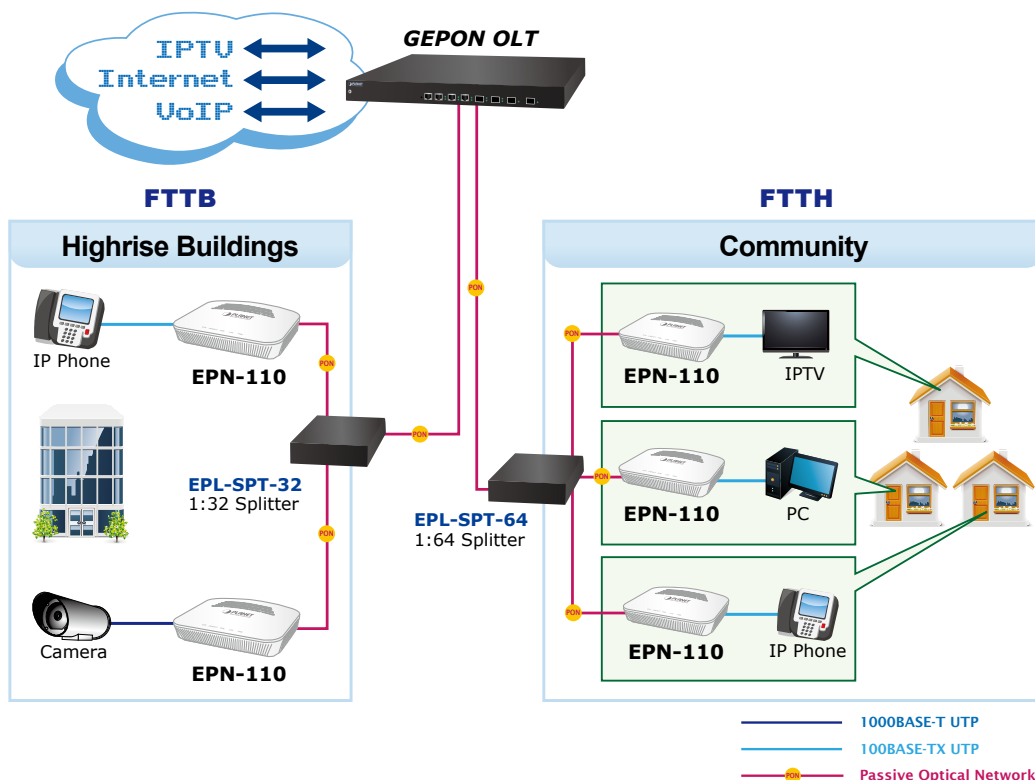
The EPN-110 is designed to work with PLANET OLT to provide robust FTTx applications. With the **Element Management System (EMS)** built in the PLANET OLT, the administrators can manage and configure the facilities such as adding or removing PLANET OLTs and ONUs to or from the network architecture easily and economically. The EMS also supports many operating and monitoring functions for efficient ONUs management including ONU auto-detection, auto-registration, testing of link connection, binding of MAC address and filtration, bandwidth control, flow control, and multicast stream control.



Applications

High Scalability and Flexibility in Multiple Applications

PLANET EPN-110 provides ultra high-speed Internet connection with PLANET OLT via the new GEAPON technology. The upstream and downstream transmission speed provided is up to 1.25Gbps and its maximum distance can be 20km. Through the PON technology, the EPN-110 can receive and deliver high-speed voice, data and video services. It offers competitive advantages including a long-term life expectancy of the fiber infrastructure, lower operating costs from the reduction of “active” components, easy Installation and maintenance, and most importantly, offer of much greater and more stable bandwidth. The EPN-110 is the perfect solution working with PLANET OLT to offer benefits of cost-effectiveness, scalability and flexibility to network deployment.



Specifications

Product		EPN-110
Hardware Specifications		
Transmission Speed		Downstream: 1.25 Gbps Upstream: 1.25 Gbps
Port	PON Port	1 PON port
	Ethernet Port	1 RJ45 port (10/100/1000BASE-T)
Fiber Maximum Distance		20km
Optic Wavelength		TX: 1310nm, RX: 1490nm
Optical Receive Sensitivity		-27 dBm
Input Saturation Power		-3 dBm
Signal Detect – Assert Power		-27 dBm
Signal Detect – De-assert Power		-42 dBm
LED Indicators		1 Power LED 1 PON LED 1 Link LED 1 LOS LED 1 SYS LED
Dimensions (W x D x H)		120 x 96 x 29 mm
Weight		95g
Power Input		12V DC, 0.5A
EMS Utility Specifications		
LED Indicators		1 Power LED 1 PON LED 1 Link LED 1 LOS LED 1 SYS LED
Dimensions (W x D x H)		120 x 96 x 29 mm
Weight		95g
Power Input		12V DC, 0.5A
EMS Utility Specifications		
ONU Features		MAC address learning Supports IGMP snooping 64 MAC addresses Service Level Agreement (SLA) Remote loop-back test ACL and MAC filtering IEEE 802.3ah compliant Forward Error Correction (FEC)
Standards Conformance		
Standards Compliance		IEEE 802.3 10BASE-T IEEE 802.3u 100BASE-TX IEEE 802.3ab 1000BASE-T IEEE 802.3x flow control and back pressure IEEE 802.1w Rapid Spanning Tree Protocol
Safety		CE
Environment Specifications		
Temperature		Operating temperature: -5 ~ 55 degrees C Storage temperature: -30 ~ 60 degrees C
Humidity		Operating humidity: 10 ~ 90% non-condensing Storage humidity: 10 ~ 95% non-condensing

Ordering Information

EPN-110	GEPON SFU ONU (1-PON Interface, 1-Port GE Interface)
---------	--

Related Products

EPL-2220	GEPON OLT (2-PON Interface, 2x GbE RJ45, 2 x GbE SFP, 1 x MGT Port)
EPN-402NV	GEPON Wi-Fi ONU
EPN-103	GEPON SFU ONU with one GE + one FE Port
EPL-SPT-8	GEPON Splitter (1 x 8 PLC Splitter, Wavelength 1260 ~ 1650 nm)
EPL-SPT-32	GEPON Splitter (1 x 32 PLC Splitter, Wavelength 1260 ~ 1650 nm)
EPL-SPT-64	GEPON Splitter (1 x 64 PLC Splitter, Wavelength 1260 ~ 1650 nm)

PLANET Technology Corporation

11F., No.96, Minquan Rd., Xindian Dist., New Taipei City
231, Taiwan (R.O.C.)

Tel: 886-2-2219-9518

Email: sales@planet.com.tw

Fax: 886-2-2219-9528

www.planet.com.tw



PLANET reserves the right to change specifications without prior notice. All brand names and trademarks are property of their respective owners. Copyright © 2017 PLANET Technology Corp. All rights reserved.

EPN-110