

Quick Installation Guide

FRT-415N

300Mbps 802.11n Wireless Internet Fiber Router



1. Package Contents

Thank you for choosing PLANET FRT-415N. Before installing the AP, please verify the contents inside the package box.

FRT-415N

Quick Guide

Ethernet Cable

Power Adapter



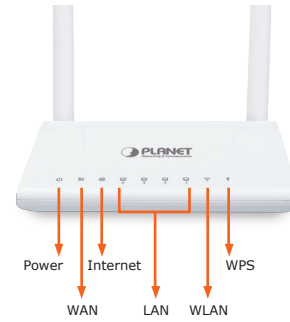
Note

If there is any item missing or damaged, please contact the seller immediately.

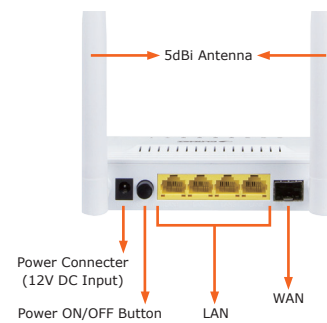
- 1 -

2. Physical Installation

Front Panel of FRT-415N



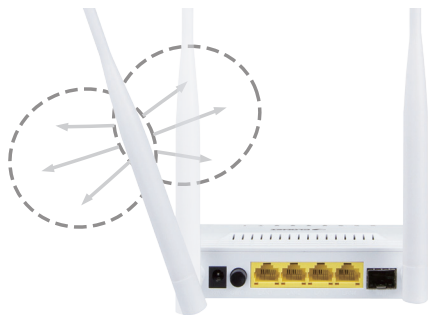
Rear Panel of FRT-415N



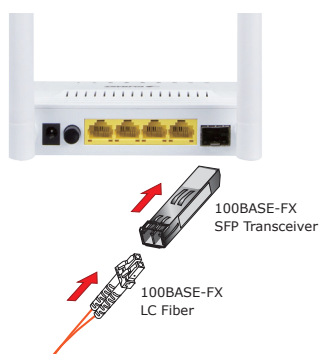
- 2 -

3. Hardware Installation

Step 1. Locate the FRT-415N in an optimum place, and adjust the antenna for the best coverage.

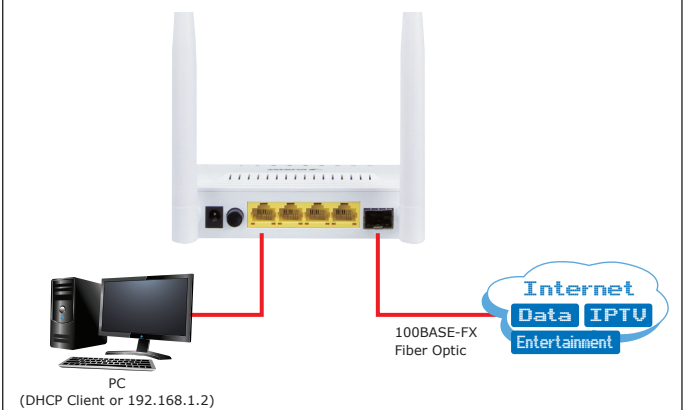


Step 2. Follow the figure below to connect the WAN port.

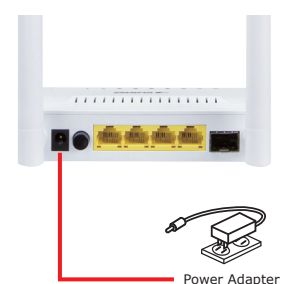


- 3 -

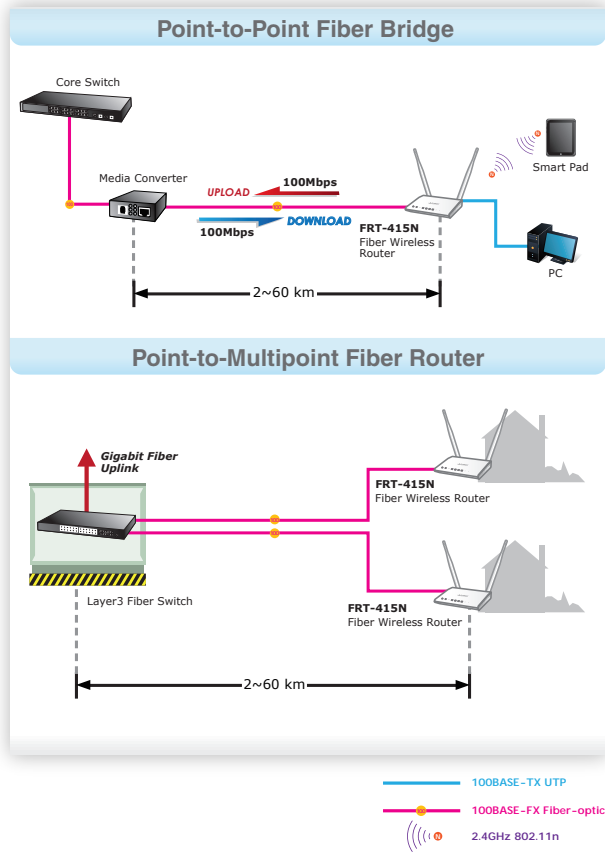
Step 3. Follow the figure below to connect the network devices.



Step 4. Connect the Power Adapter to the FRT-415N. Check whether the PWR LED and LAN LED on the front panel are on accordingly.



- 4 -

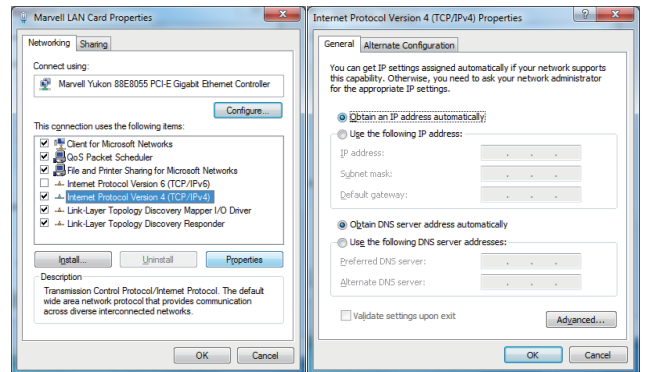


4. Web Login

Step 1. Connect the FRT-415N with your PC over an Ethernet cable which is plugged into LAN port. Power on the FRT-415N using the power adapter.

Step 2. Set your computer to get an IP address from the Wireless Router:

1. Click the **"Start"** button located at the lower-left corner of your computer.
2. Click **"Control Panel"**.
3. Double-click the **"Network and Sharing Center"** icon.
4. Click **"Change Adapter Settings"**.
5. Double-click **"Local Area Connection"**.
6. Select **"Internet Protocol Version 4 (TCP/IPv4)"** and click **"Properties"**.
7. Select **"Obtain an IP Address automatically"** and **"Obtain DNS Server Address automatically"**, and then click the **"OK"** button twice to save the configuration.



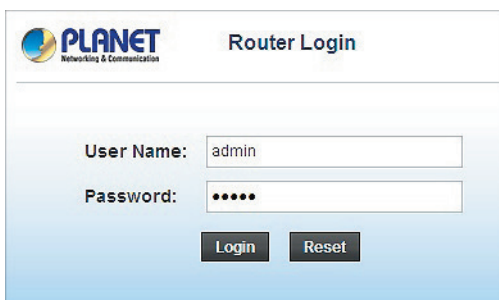
5. Enter into the Web Management

Default IP Address: **192.168.1.1**
 Default User Name: **admin**
 Default Password: **admin**
 Default SSID: **PLANET_XXXX**
 ("X" means the last 4 digits of the MAC address.)

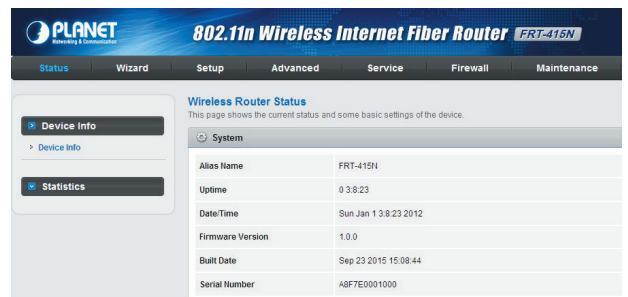
Step 1. The Web management allows you to access and manage the Wireless Router easily. Launch the Web browser and enter the default IP address **http://192.168.1.1**



Step 2. When the login window pops up, please enter the User Name and Password. The default User Name and Password are both **"admin"**. Then click the **OK** button to continue.



Step 3. Now, you can see the Web management UI of the FRT-415N. Please go to the **Wireless Settings** page to configure your wireless network. For security reasons, configuring the Encryption Method and Passphrase of your wireless network is strongly recommended.



FURTHER INFORMATION:

The above steps introduce simple installations and configurations for the FRT-415N. For further configurations of LAN, Wireless, Access Control, etc, please refer to the user manual, which can be downloaded from the website.
<http://www.planet.com.tw/en/support/download.php?type1=66&model=48766&type=3>



If you have further questions, please contact the local dealer or distributor where you purchased this product.

