

## 2.4GHz 9dBi Flat Panel Directional Antenna

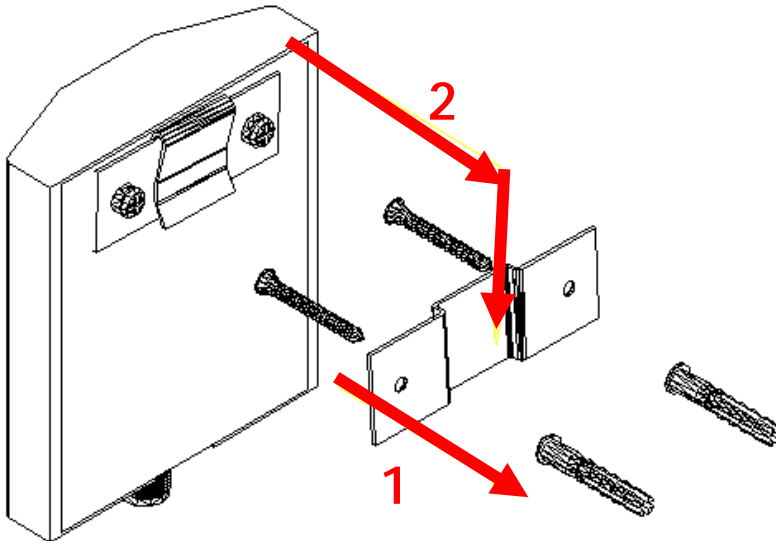
### ANT-FP9 INSTALLATION GUIDE

#### Package Content:

- ANT-FP9 x1
- Screw package x 1

When you open the package, you will find the ANT-FP9, if anything miss, please contact with your dealer.

#### Installation Steps:



#### Specifications:

- Frequency: 2400~2500 MHz
- Max gain: 9dBi
- Connector: N female
- Max input power: 10W Max
- Wave impedance: 50 OHMS  $\pm 5\Omega$
- Dimensions: 107\*90\*30mm
- Weight: 0.28 kg
- For Image/Data/Voice communications and Wireless LAN system.

**PLANET Technology Corporation**

Website: <http://www.planet.com.tw>

Technical Service: [support\\_wireless@planet.com.tw](mailto:support_wireless@planet.com.tw)