

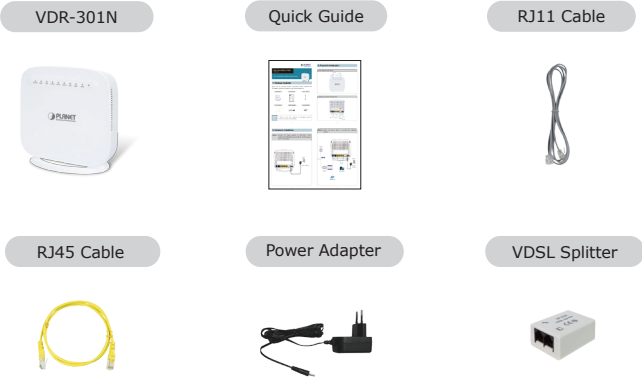
**Quick Installation Guide**  
VDR-301N

802.11n Wireless VDSL2 Bridge Router



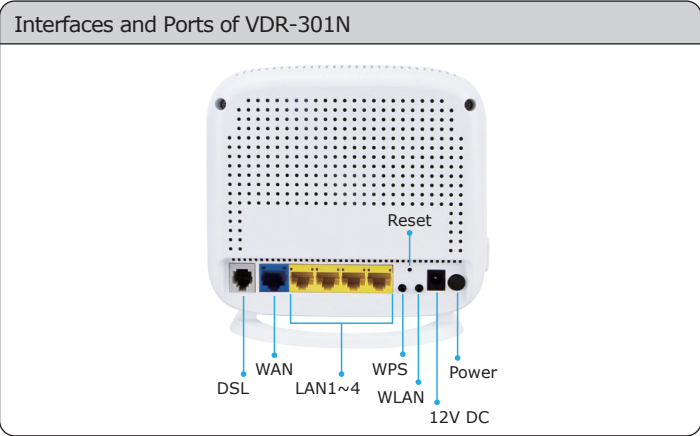
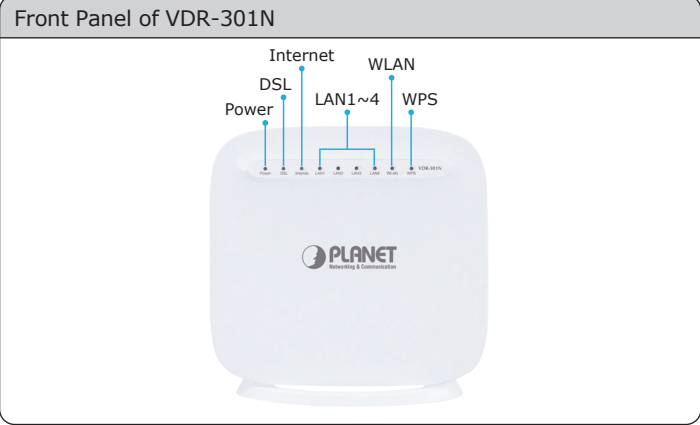
**1. Package Contents**

Thank you for choosing PLANET VDR-301N. Before installing the AP, please verify the contents inside the package box.



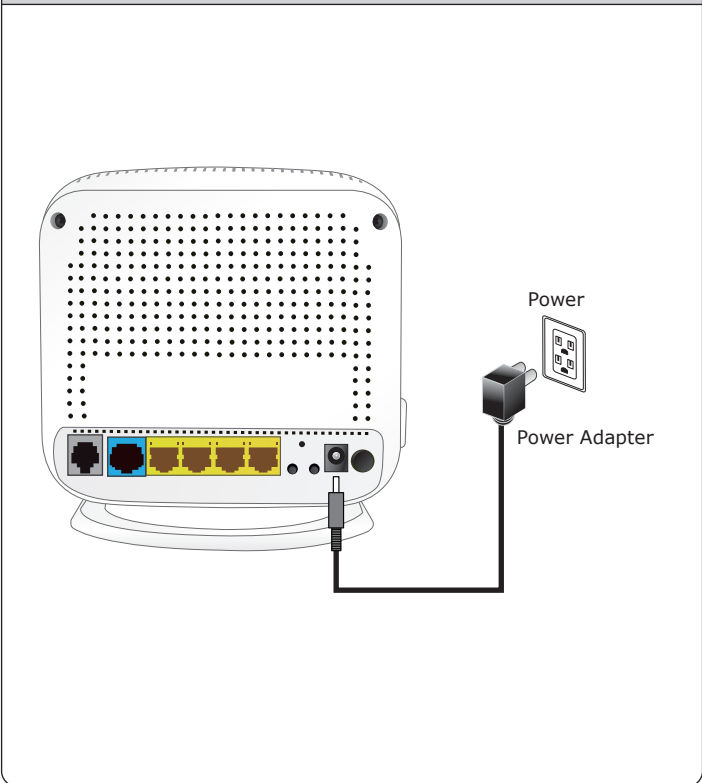
**Note** If there is any item missing or damaged, please contact the seller immediately.

**2. Physical Introduction**

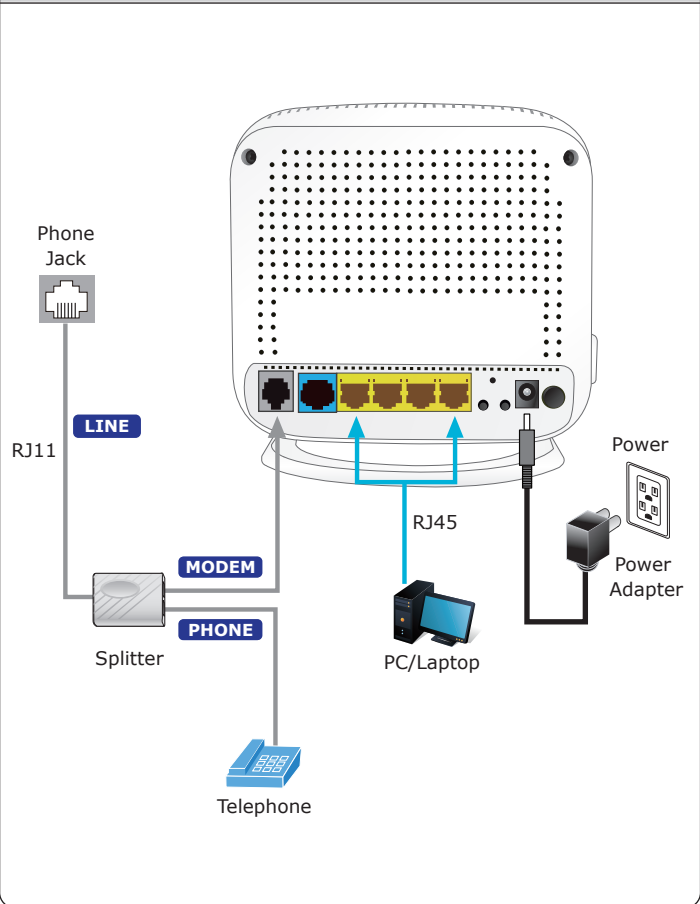


**3. Hardware Installation**

**Step 1:** Connect the Power Adapter to VDR-301N. Check whether the PWR LED and LAN LED on the front panel are on accordingly.



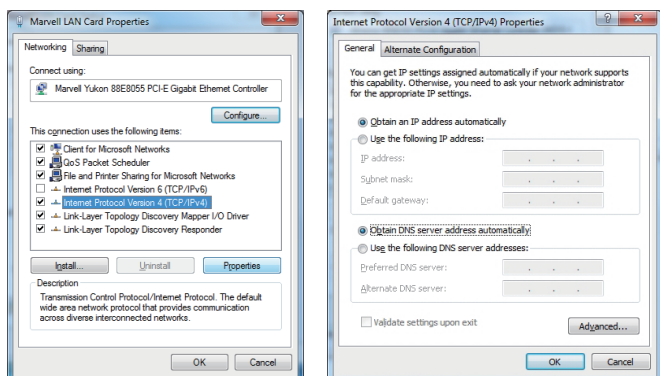
**Step 2:** Follow the figure below to connect the network devices.



## 4. Web Login

**Steps:** Set your computer to get an IP address from the Wireless Router:

1. Click the **"Start"** button located at lower-left corner of the screen.
2. Click **"Control Panel"**.
3. Double-click **"Network and Sharing Center"** icon.
4. Click **"Change Adapter Settings"**.
5. Double-click the **"Local Area Connection"** icon.
6. Select **"Internet Protocol Version 4 (TCP/IPv4)"** and click the **"Properties"** button.
7. Select **"Obtain an IP address automatically"** and **"Obtain DNS server address automatically"**, and then click the **"OK"** button twice to save the configuration.



- 5 -

Default IP Address: **192.168.1.1**

Default User Name: **admin**

Default Password: **admin**

Default SSID: **PLANET\_XXXX**

**("X" means the last 4 digits of the MAC address.)**

Now, you can see the Web management UI of the VDR-301N.



- 6 -

## 5. Broadband Connection for VDSL

### VDSL2 Router with PPPoE:

Follow the steps below to set up connection to **PPPoE** mode.

1. Log in the VDR-301N's web-based configuration utility.
2. Click **"Setup"**.
3. Select **"DSL WAN"**.
4. Choose **PTM**, and then select the Channel Mode to **"PPPoE"**.
5. Select the IP Protocol to **"IPv4"**.
6. Fill in **User Name** and **Password** which are provided by ISP.
7. After setting it up, press **"Add"**.

If you need more information about WAN service, please refer to the User's Manual.

### VDSL2 Router with Bridge:

Follow the steps below to set up connection to **Bridge** mode.

1. Log in the VDR-301N's web-based configuration utility.
2. Click **"Setup"**.
3. Click **"DSL WAN"**.
4. Choose **PTM**, and then select the Channel Mode to **"Bridge"**.
5. Select the IP Protocol to **"IPv4"**.
6. Press **"Add"**.

If you need more information about WAN service, please refer to the User's Manual.

- 7 -

## Further Information

The above steps introduce the simple installation and configurations of the VDR-301N. For further configurations of different operation modes, please refer to the user manual, which can be downloaded from the website.

<http://www.planet.com.tw/en/support/download.php?type1=320&model=48957&type=3>



If you have further questions, please contact the local dealer or distributor where you purchased this product.

**PLANET Technology Corp.**

11F., No. 96, Minquan Rd., Xindian Dist., New Taipei City 231, Taiwan  
2011-AC0390-000



- 8 -